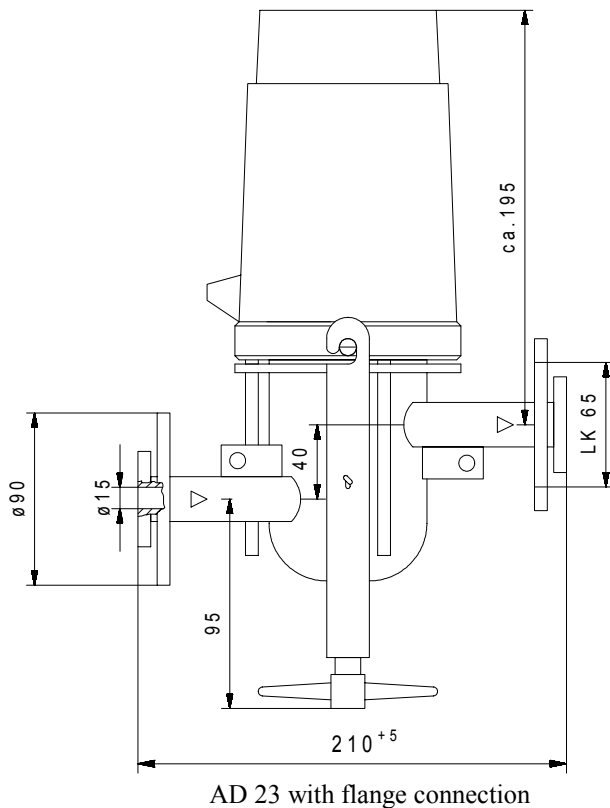


# FLOW-THROUGH HOUSING AD 23 / AD 24

06/04



Dimensions : mm

## Specifications

|                            |   |
|----------------------------|---|
| <b>Sensor ports</b>        | AD 23/3, AD 24: 3 ports for electrodes/sensors with PG 13.5 thread and 120 mm immersion length<br>AD 23/4: 4 ports for electrodes/sensors with PG 13.5 thread and 120 mm immersion length |
| <b>Material</b>            | AD 23: PP; AD 24: stainless steel 1.4571  |
| <b>Sealing material</b>    | NBR   |
| <b>Temperature range</b>   | AD 23: max. 90 °C, AD 24: max. 130 °C   |
| <b>Flow rate</b>           | max. 350 l/h  |
| <b>Pressure</b>            | max. 1 bar (pressure housings on special request)   |
| <b>Process connections</b> | AD 23: hose connection DN 15, pipe connection DN 15, flange connection DN 20<br>AD 24: flange connection DN 20<br>Horizontal installation recommended                                     |

These flow-through housings are used for insertion of electrodes/sensors if the measuring medium comes in a pipe. The AD 23 can be mounted directly in a pipe for in-line use and contains up to three or four electrodes with PG 13.5 threaded cap or a PG 13.5 threaded nut on the sensor stem. Use these housings in your electro-chemical control system for easy and quick installation. Fluid flow across the surface of the electrodes provides a cleaning action that extends the life of your electrodes and improves performance.

The model AD 24 made of stainless steel (1.4571) is ideal for high-temperature applications up to 130 °C. Housing AD 23 is available with flange (DN 20), screw or hose connections (DN 15). Install the housing horizontally.

## Sensortechnik Meinsberg GmbH

Quality System certified to DIN EN ISO 9001

Fabrikstraße 69

D-04720 Ziegra-Knobelsdorf /GERMANY

Internet: [www.meinsberg.de](http://www.meinsberg.de)

Tel. +49 34327 623-0

Fax +49 34327 623-79

