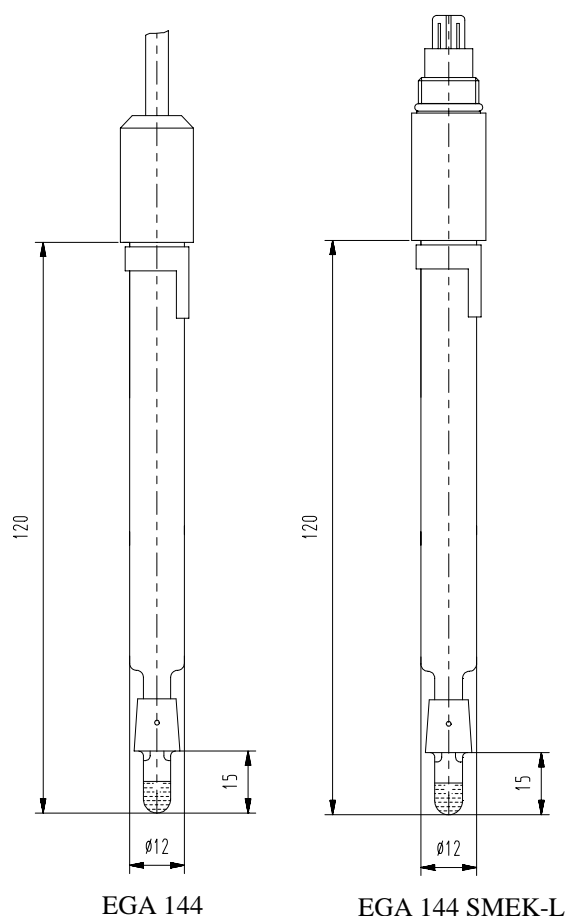


pH Combination Electrode EGA 144

03/05



Dimensions in mm

Specifications

Electrode stem	glass Ø 12 mm with refilling hole
Stem length	120 mm (other lengths on request)
pH range	pH 0 ... 14 (pH 0 and pH 14 within a short operation time)
Temperature range	- 5 ... 60 °C (up to 80 °C within a short operation time)
Temperature probe	integrated Pt 1000 platinum resistor in accordance with DIN IEC 751 class A (special version with Pt 100)
Membrane shape	cylinder
Membrane resistance	about 300 MΩ (25 °C)
Reference system	Ag/AgCl reference cartridge system
Electrolyte	3 M KCl electrolyte (refillable)
Diaphragm	detachable ground joint sleeve diaphragm
Isopotential point	pH = 7 ± 0.3 (at time of delivery at 25 °C)
Electrical connection	EGA 144: fixed cable 1 m with German DIN and 4 mm banana plug EGA 144/BNC: fixed cable 1 m with BNC and 4 mm banana plug EGA 144 SMEK-L: multipin lab plug head SixPlug-system
Measuring position	application vertically or laterally up to 30° from vertical

This pH combination electrode with detachable glass ground sleeve diaphragm and large low-resistant pH membrane glass is the ideal choice for difficult applications in samples with low ionic strength, like ultra clean water and drinking water with low conductivity. The electrode features integrated temperature sensor for automatic temperature compensation and measurement, removable ground glass sleeve ring diaphragm for adjustment of the electrolyte flow and an extremely large cylindrical pH membrane.

Different versions with fixed cable and multipin SixPlug lab plug head enable compatibility with nearly all types of pocket, laboratory and on-line pH instrumentations world-wide.

Accompanying plug head cable connections:

Koax 8: Triaxial cable, length 1 m with SixPlug plug head cable socket and German DIN and 4 mm banana plug

Koax 9: Triaxial cable, length 1 m with SixPlug plug head cable socket and BNC and 4 mm banana plug

Sensortechnik Meinsberg GmbH

Quality System certified to DIN EN ISO 9001

Kurt-Schwabe-Straße 6

D-04720 Ziegra-Knobelsdorf /GERMANY

Internet: www.meinsberg.de

Tel. +49 34327 623-0

Fax +49 34327 623-79

