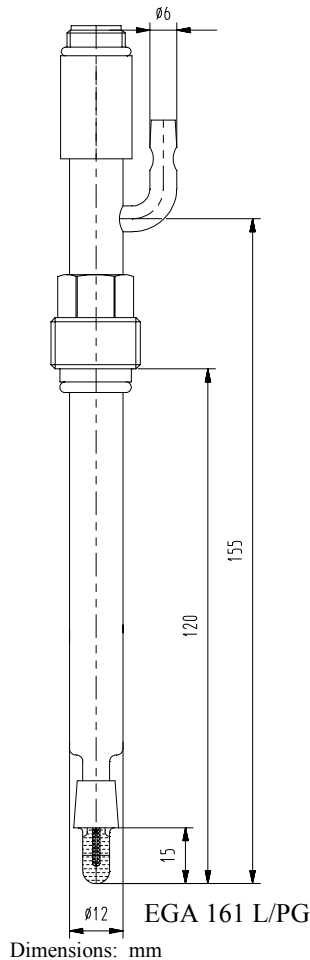


pH Combination Electrode EGA 161

06/04



This pH combination electrode with detachable glass ground sleeve diaphragm and large low-resistant pH membrane glass is the ideal choice for difficult applications in samples with low ionic strength, like ultra clean water and drinking water with low conductivity. The electrode features removable ground glass sleeve ring diaphragm for adjustment of the electrolyte flow and an extremely large cylindrical pH membrane. Connect the side arm to a 3 M KCl reservoir and adjust the flow for optimal performance.

Different versions with fixed cable and removable PG 13.5 threaded plug head cable connection S7-system enable compatibility with nearly all types of pocket, laboratory and on-line pH instrumentations world-wide.

Accompanying plug head cable connections:

- K 43/2: Coaxial measuring cable, length 2 m with plug head S7 cable socket, without meter plug
- K 50/2: Coaxial measuring cable, length 2 m with plug head S7 cable socket and German DIN plug
- K 51/2: Coaxial measuring cable, length 2 m with plug head S7 cable socket and BNC plug

Accessories:

remote KCl reservoir (made of plastic) with hose connection for a silicon hose (length 5 m) to connect the side tube connector of the electrode with the reservoir

Specifications

Electrode stem	glass Ø 12 mm with side tube connector suitable for connection with a remote electrolyte reservoir
Immersion length	120 mm (other immersion lengths on request)
pH range	pH 2 ... 12 (up to pH 0 and pH 14 within a short operation time)
Temperature range	- 5 ... 60 °C (up to 80 °C within a short operation time)
Membrane shape	cylinder
Membrane resistance	about 300 MΩ (25 °C)
Reference system	Ag/AgCl reference cartridge system
Electrolyte	3 M KCl electrolyte (refillable)
Diaphragm	detachable ground joint sleeve diaphragm
Isopotential point	pH = 7 ± 0.3
Pressure	max. 0.5 bar, or higher with pressure load at a remote side tube connector
Electrical connection	EGA 161 K/PG: fixed cable 5 m without meter plug and electrode stem equipped with hex nut PG 13.5, free turnable on the stem EGA 161 L/PG: plug head S7-system and electrode stem equipped with hex nut PG 13.5, free rotatable on the stem (see drawing)
Process connection	sensor shaft equipped with hex nut PG 13.5 for direct mounting in housings; installation vertically or laterally up to 30° from vertical

Sensortechnik Meinsberg GmbH

Quality System certified to DIN EN ISO 9001

Fabrikstraße 69

D-04720 Ziegra-Knobelsdorf /GERMANY

Internet: www.meinsberg.de

Tel. +49 34327 623-0

Fax +49 34327 623-79

